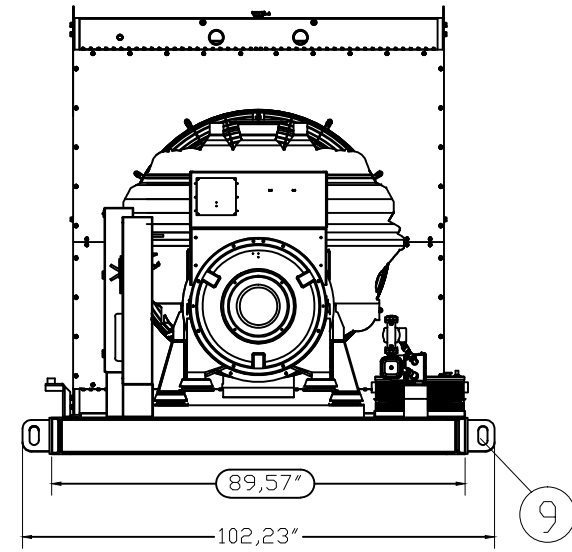
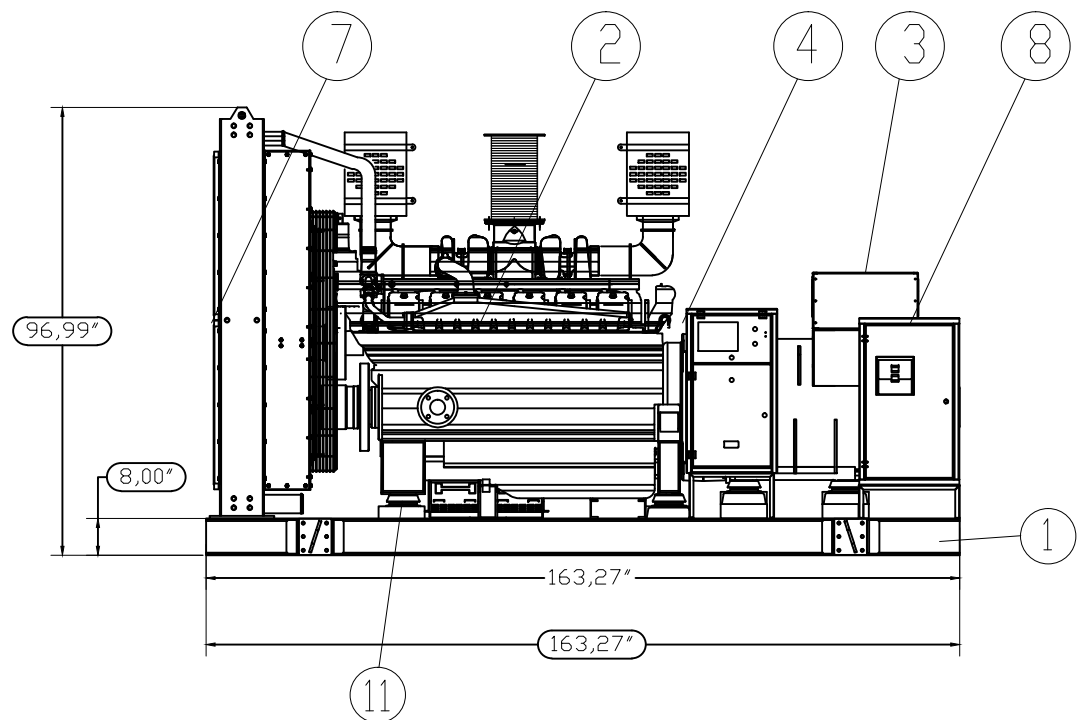
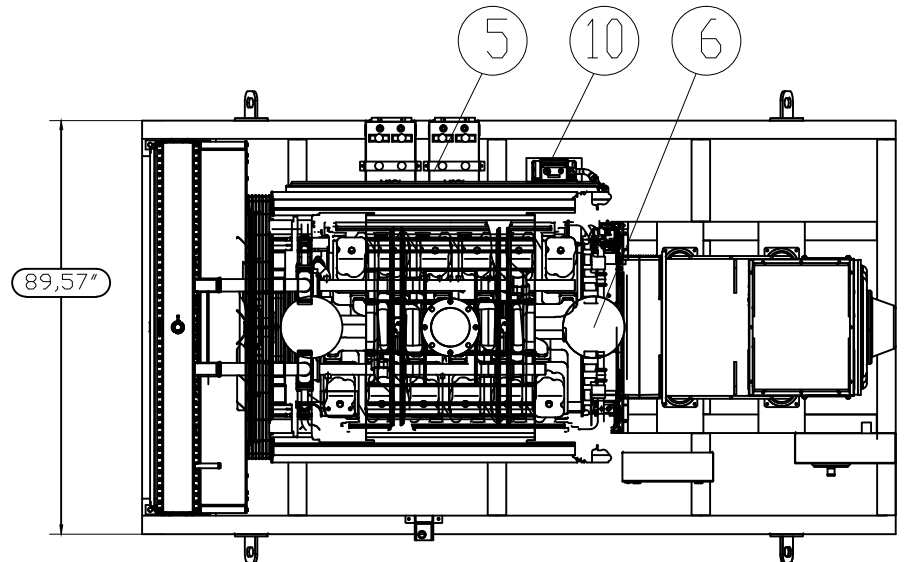


SIMBOLOGY CONTROL
 —|—|— INSPECTION DIMENSION
 No. DRAWING REVISION

| NON SPECIFIED TOLERANCES | | | |
|--------------------------|-----------|--------------------|---------|
| PART TOLERANCES TABLE | | GENERAL TOLERANCES | |
| INTERVAL | TOLERANCE | DIAMETERS | ANGULAR |
| 0" - 40" | ± 0.04" | ± 0.03" | ± 2° |
| 40" - 16.5" | ± 0.08" | | |
| 16.5" - 40" | ± 0.12" | ± 0.36" ± 0.002" | |
| 40" - 328" | ± 0.4" | | |

| MATERIAL | ITEM | WEIGHT (kg) | FINISH |
|----------|------|-------------|------------------------------|
| NA | | NA | CLEAN SURFACES FREE OF BURRS |



| NO. ITEM | DESCRIPTION |
|----------|---------------|
| 11 | ISOLATOR |
| 10 | PREHEATER |
| 9 | LIFTING HOOK |
| 8 | BREAKER |
| 7 | RADIATOR |
| 6 | AIR FILTER |
| 5 | BATTERIES |
| 4 | CONTROL PANEL |
| 3 | ALTERNATOR |
| 2 | ENGINE |
| 1 | CHASSIS |

| | | | | |
|--|------------------|--|---------------|----------------|
| DEPT.: ENGINEERING | DATE: 07-03-2019 | DRAWING: MBG | REVISED: PRFJ | APPROVED: PRFJ |
| SCALE: SIN / ACOT.: INCH | CUSTOMER: STD | DRAWING No.: EG WD/C MIT-STF 800KW 480 VAC 3PH | | |
| TITLE: BASE FRAME FOR ENGINE-ALTERNATOR MITSUBISHI-STAMFORD 800KW/480VAC 3PH/ABB BREAKER T7S 1200A | | | | REV.: 00 |
| | | | | SHEET 1 DE 1 |
| IGSA S.A. DE C.V. OFFICE GENERAL: RIDE OF REFORM No. 2977, COL. CUAJIMALPA, CP 05000, CDMX, MEX. PLANT: AMMOLULCO-DCDYACAC KM-5 ROAD, LERMA EDO. FROM MEXICO, CP 52740 ENGINEERING DEPARTMENT: TEL: 01 (55) 56265350 Ext: 3019,3020 & 3030. | | HE INFORMATION CONTAINED HEREIN IS EXCLUSIVE PROPERTY IGSA S.A. DE C.V. THEREFORE IT CAN NOT BE USED, COPIED OR DUPLICATED WITHOUT THE WRITTEN CONSENT IGSA S.A. DE C.V. | | |

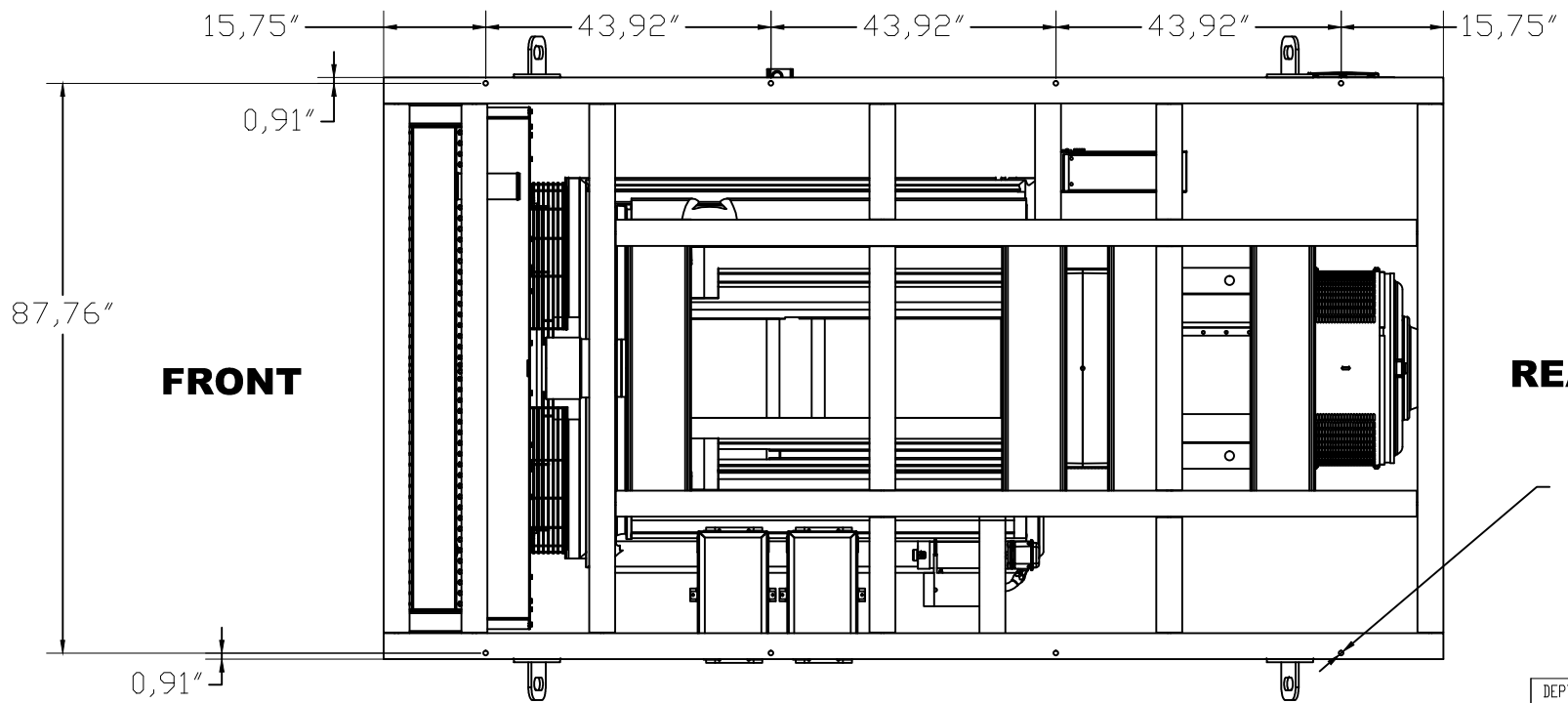
SIMBOLOGY CONTROL
 ——— INSPECTION DIMENSION
 No. DRAWING REVISION

| NON SPECIFIED TOLERANCES | | | |
|--------------------------|-----------|--------------------|------------------------------|
| PART TOLERANCES TABLE | | GENERAL TOLERANCES | |
| INTERVAL | TOLERANCE | DIAMETERS | ANGULAR |
| 0" - 40" | ± 0.04" | ± 0.03" | ± 2° |
| 40" - 16.5" | ± 0.08" | | |
| 16.5" - 40" | ± 0.12" | 0.36" ± 0.002" | |
| 40" - 328" | ± 0.4" | | |
| MATERIAL | ITEM | WEIGHT (kg) | FINISH |
| NA | | NA | CLEAN SURFACES FREE OF BURRS |

FRONT

REAR

CHASIS TOP VIEW



FRONT

REAR

ANCHORING TEMPLATE

| | | | | |
|---|------------------|--|---------------|----------------|
| DEPT.: ENGINEERING | DATE: 07-03-2019 | DRAWING: MBG | REVISED: PRFJ | APPROVED: PRFJ |
| SCALE: SIN / ACOT.: INCH | CUSTOMER: STD | DRAWING No.: EG WD/C MIT-STF 800KW 480 VAC 3PH | | |
| TITLE: BASE FRAME FOR ENGINE-ALTERNATOR MITSUBISHI-STAMFORD 800KW/480VAC 3PH/ABB BREAKER T7S 1200A | | | | REV.: 00 |
| | | | | SHEET 1 DE 1 |
| IGSA S.A. DE C.V. <small>OFFICE GENERAL: RIDE OF REFORM No. 2977, COL. CUAJIMALPA, CP 05000, CDMX, MEX. PLANT: AMMOLULCO-DCDYDACAC KM-5 ROAD, LERMA EDO. FROM MEXICO, CP 52740. ENGINEERING DEPARTMENT: TEL: 01 (55) 56265350 Ext: 3019,3020 & 3030.</small> | | <small>THE INFORMATION CONTAINED HEREIN IS EXCLUSIVE PROPERTY IGSA S.A. DE C.V. THEREFORE IT CAN NOT BE USED, COPIED OR DUPLICATED WITHOUT THE WRITTEN CONSENT IGSA S.A. DE C.V.</small> | | |