
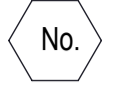
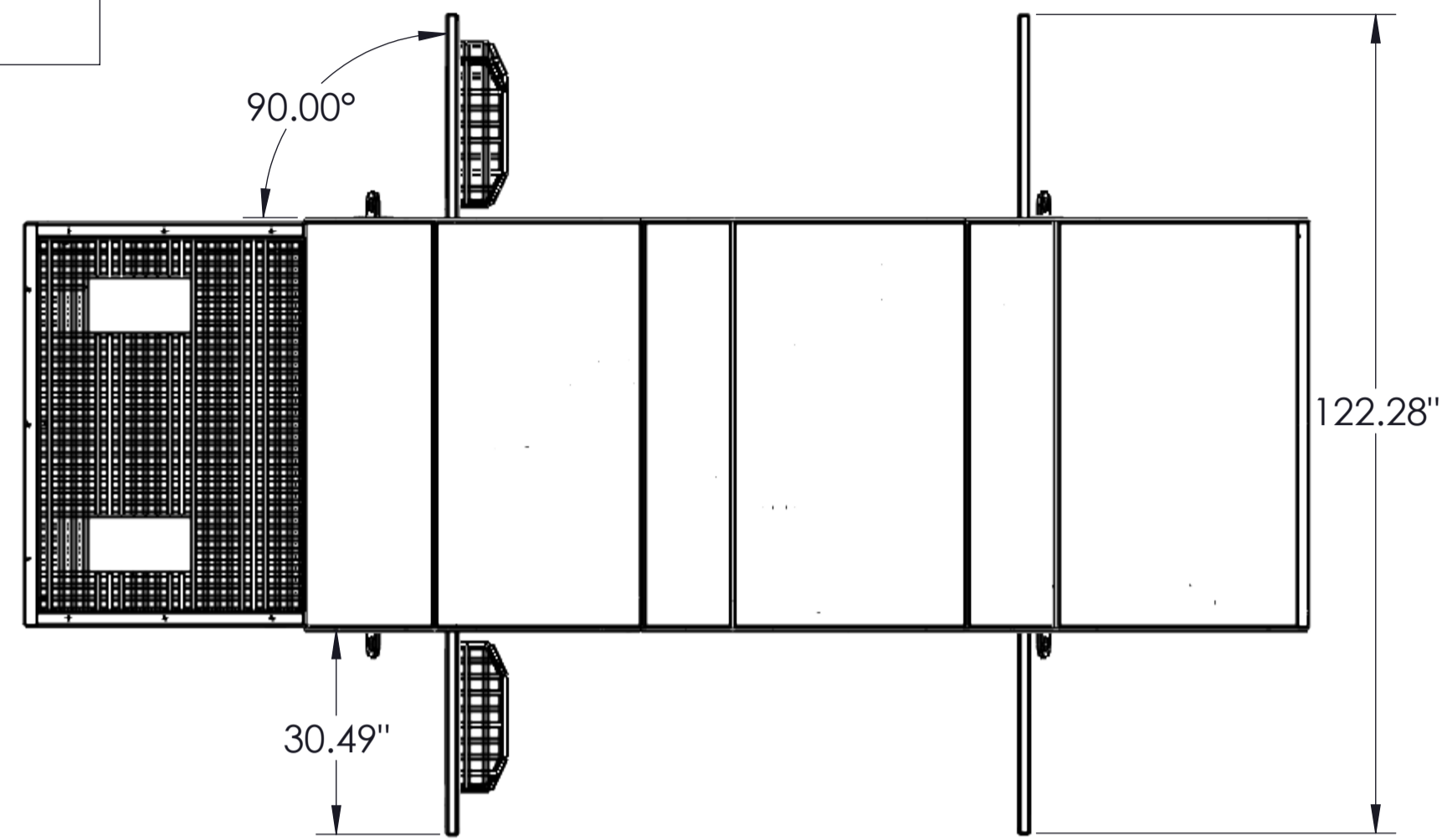
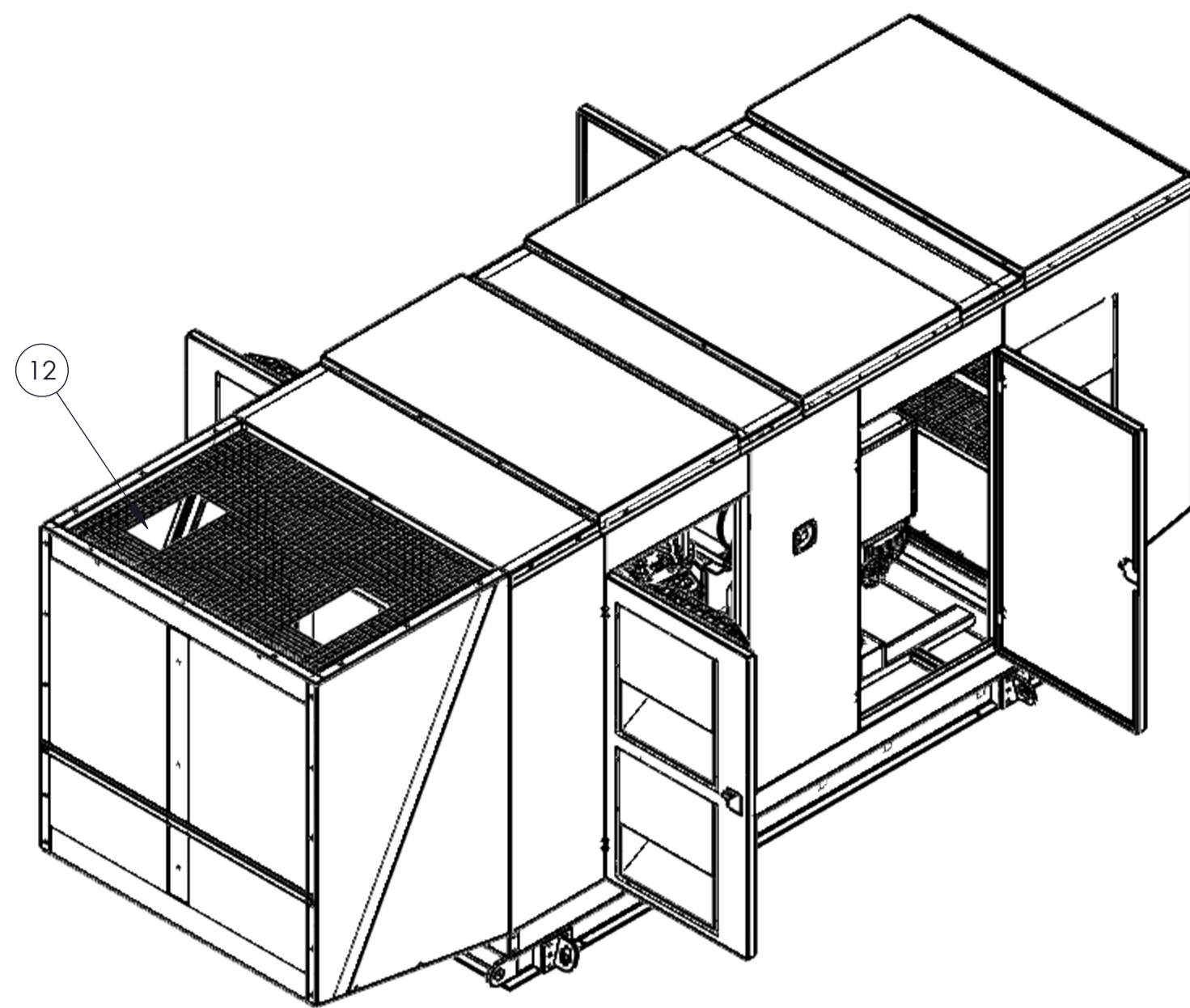


CONTROL SIMBOLOGY

-  INSPECTION MEASURE
-  DRAWING REVISION
- 'C' = CUT    'D' = BEND



TOP VIEW

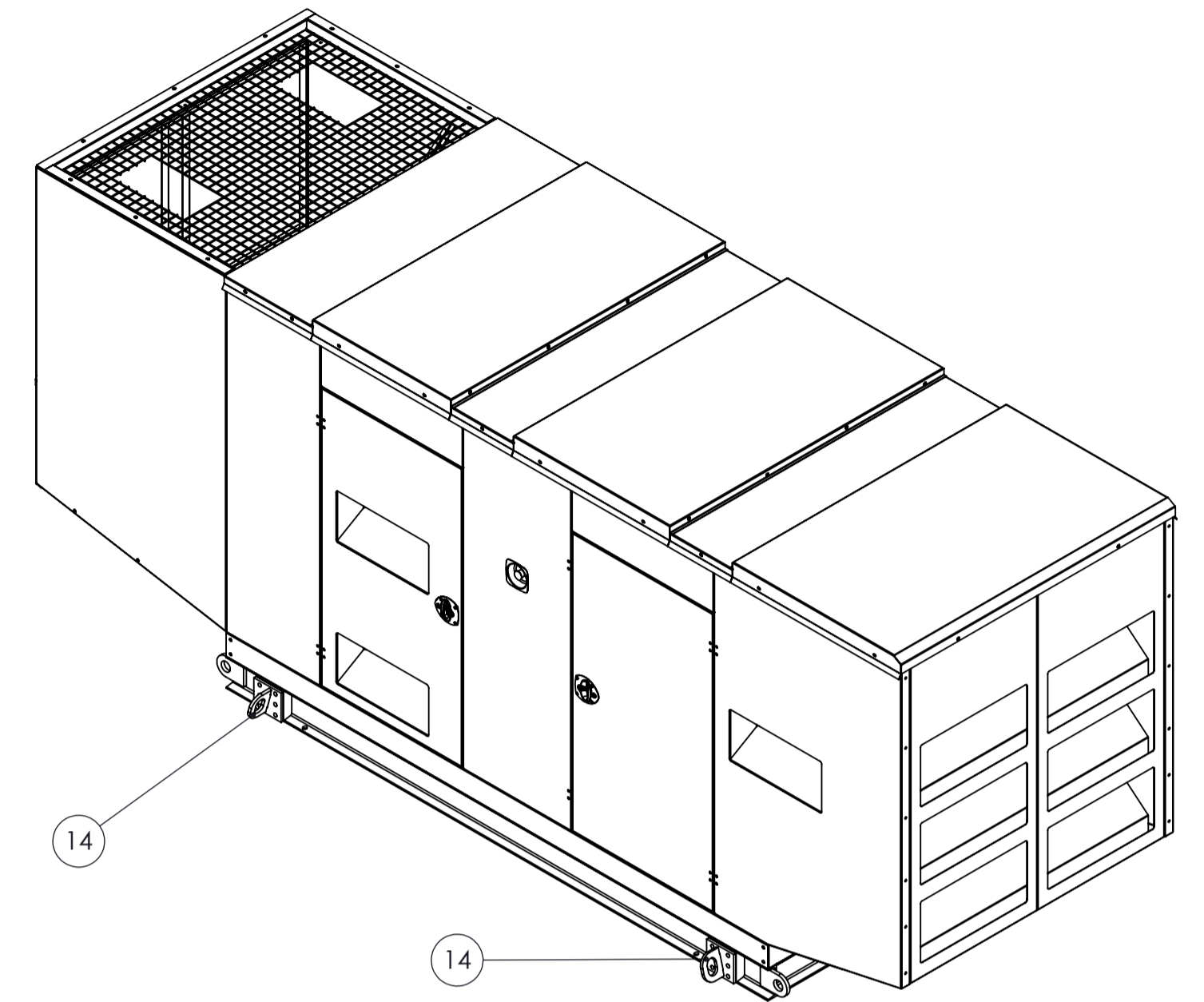


ISOMETRIC VIEW

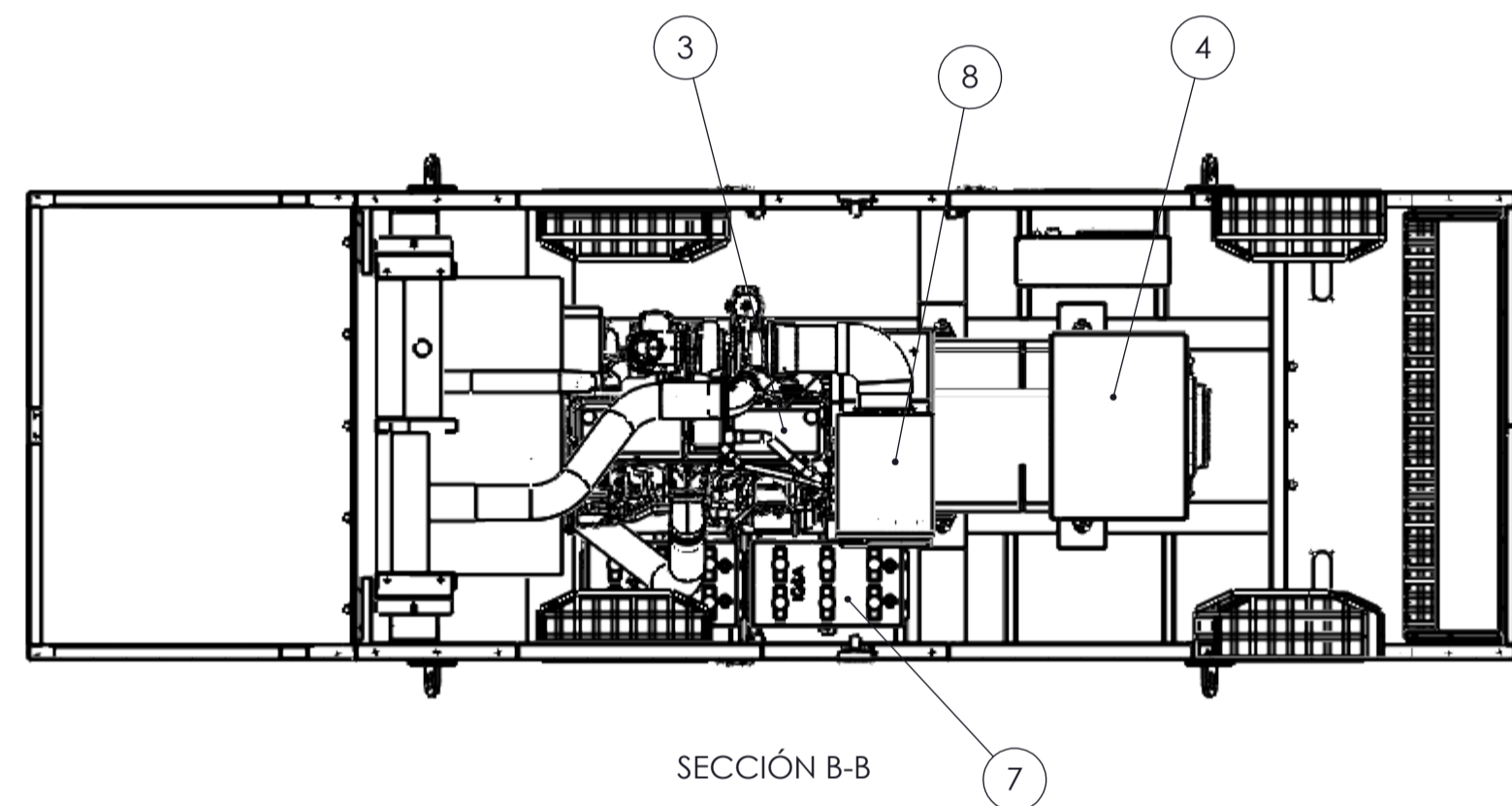
TABLA DE TOLERANCIAS ESTANDAR DE NO ESPECIFICARSE			
TOLERANCES OF FINISHED PART		GENERAL TOLERANCES	
RANGO	TOLERANCIA	DIAMETROS	ANGULAR
0 mm - 999 mm	± 1 mm	NO ESPECIFICADO	± 2°
1000mm- 5m	± 2 mm		
5 m-12 m	± 3 mm	ESPECIFICADO	9.2-0.05
12m-100m	±10 mm		

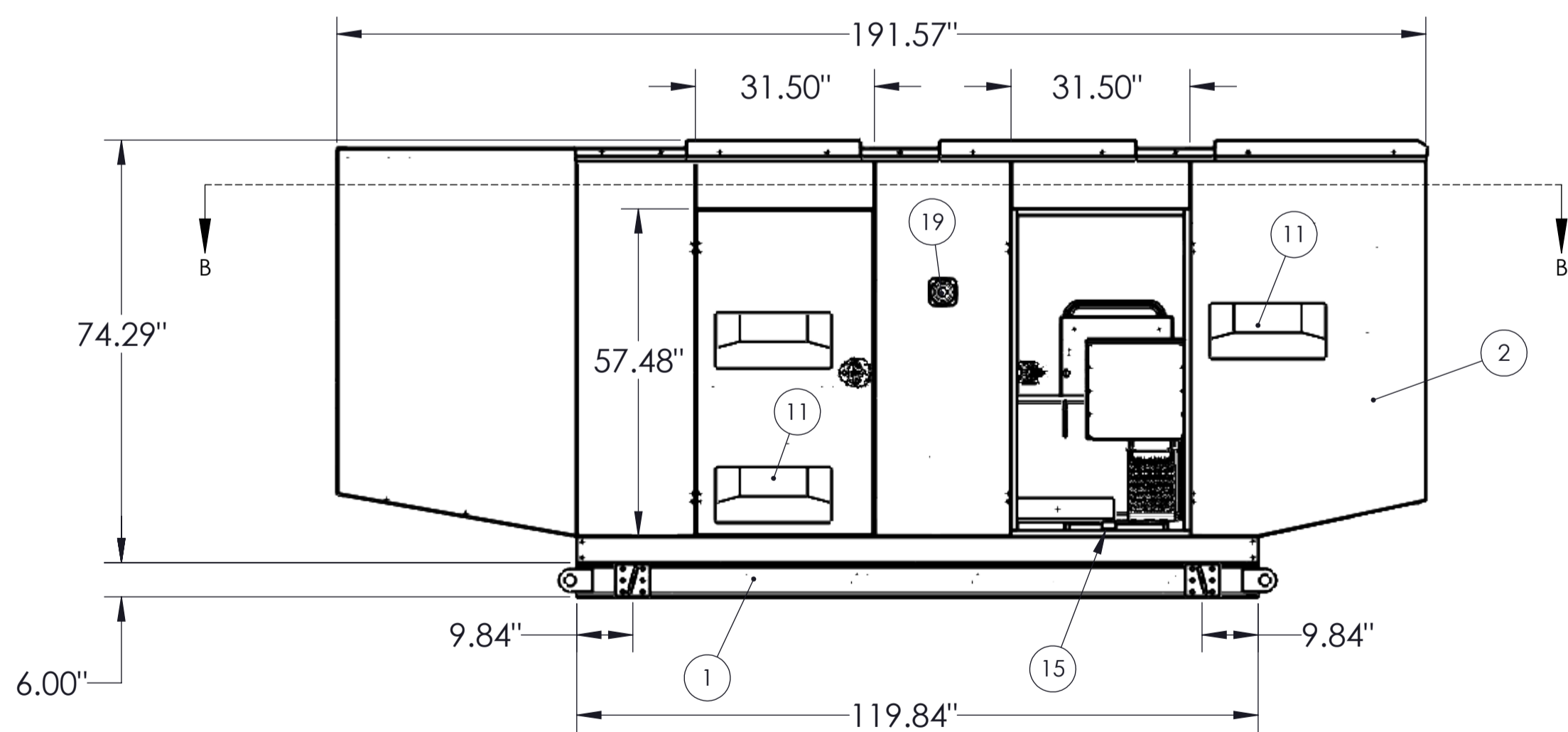
MATERIAL	ITEM	WEIGHT (kg)	FINISH
N/A	N/A		CLEAN SURFACES WITHOUT BURRS



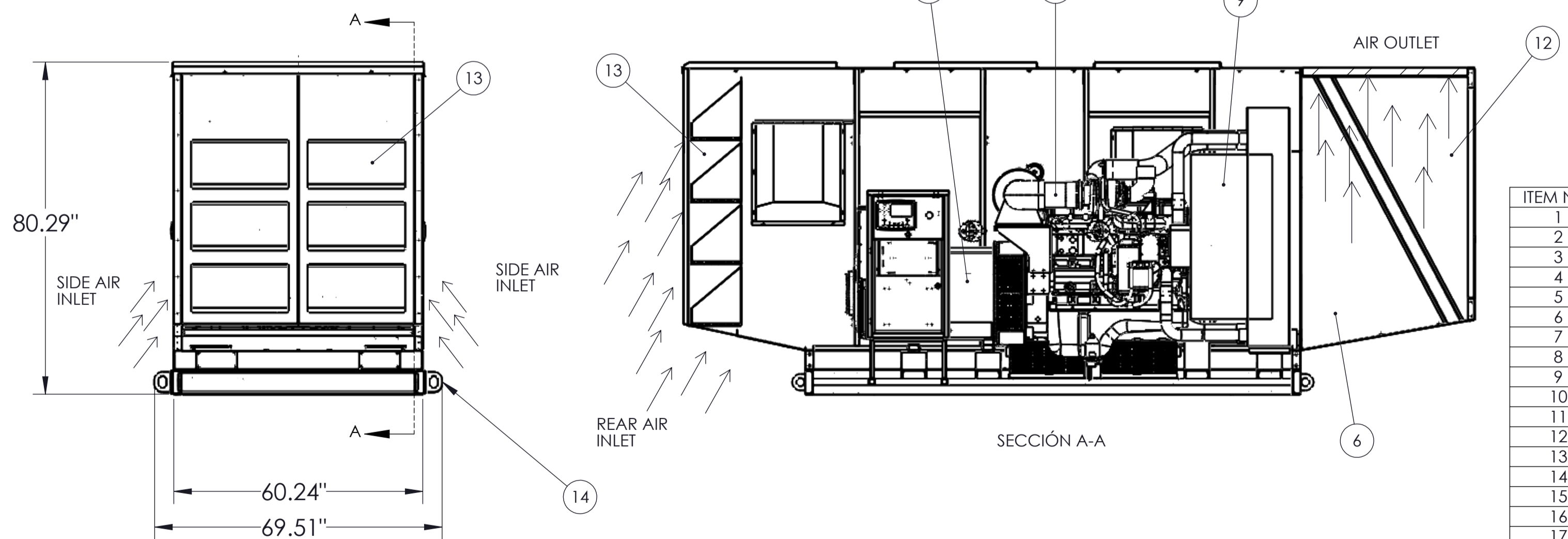
ISOMETRIC VIEW



SECCIÓN B-B



RIGHT VIEW



REAR VIEW

SECCIÓN A-A

ITEM NO.	DESCRIPTION
1	CHASSIS
2	MODULAR ACOUSTIC ENCLOSURE
3	ENGINE
4	ALTERNATOR
5	CONTROL PANEL
6	SILENCER
7	BATTERIES
8	AIR FILTER
9	RADIATOR
10	BREAKER
11	SIDE AIR INLET
12	FRONT AIR OUTPUT
13	REAR AIR INLET
14	LIFTING HOOK
15	OUTPUT CABLES
16	HEATER
17	COOLANT DRAINER
18	OIL DRAINER
19	EMERGENCY STOP

DEPTO.: ENGINEERING	DATE: 05/27/2019	DRAWN BY: ARG	REVIEWED BY: MBG	APPROVED BY: FJPR
ESCALE: N/A	CUSTOMER: STD UL	DRAWING No: EG W/C JD-STF 300KW 480VCA 3PH		
ACOT.: mm.	PART NAME: BASE FRAME AND CANOPY FOR ENGINE-ALTERNATOR JOHN DEERE- STAMFORD 300KW/480VAC 3PH/ ABB BREAKER T5N 600A			REV.: 00
IGSA S.A. DE C.V. HEAD QUARTERS: PASEO DE LA REFORMA No. 2977, COL. CUAJIMALPA, CP 05000, MEX. D.F. FACILITIES: HIGHWAY ANIMOLULCO-DOYOCACAC KM-8, LERMA EDO. DE MEXICO, CP 52740 ENGINEERING DEPARTMENT: TEL.: 01 (55) 9626950 Ext.: 3018, 3020 & 3025.				SHEET 1 OF 2

**CONTROL SIMBOLOGY**

INSPECTION MEASURE

DRAWING REVISION

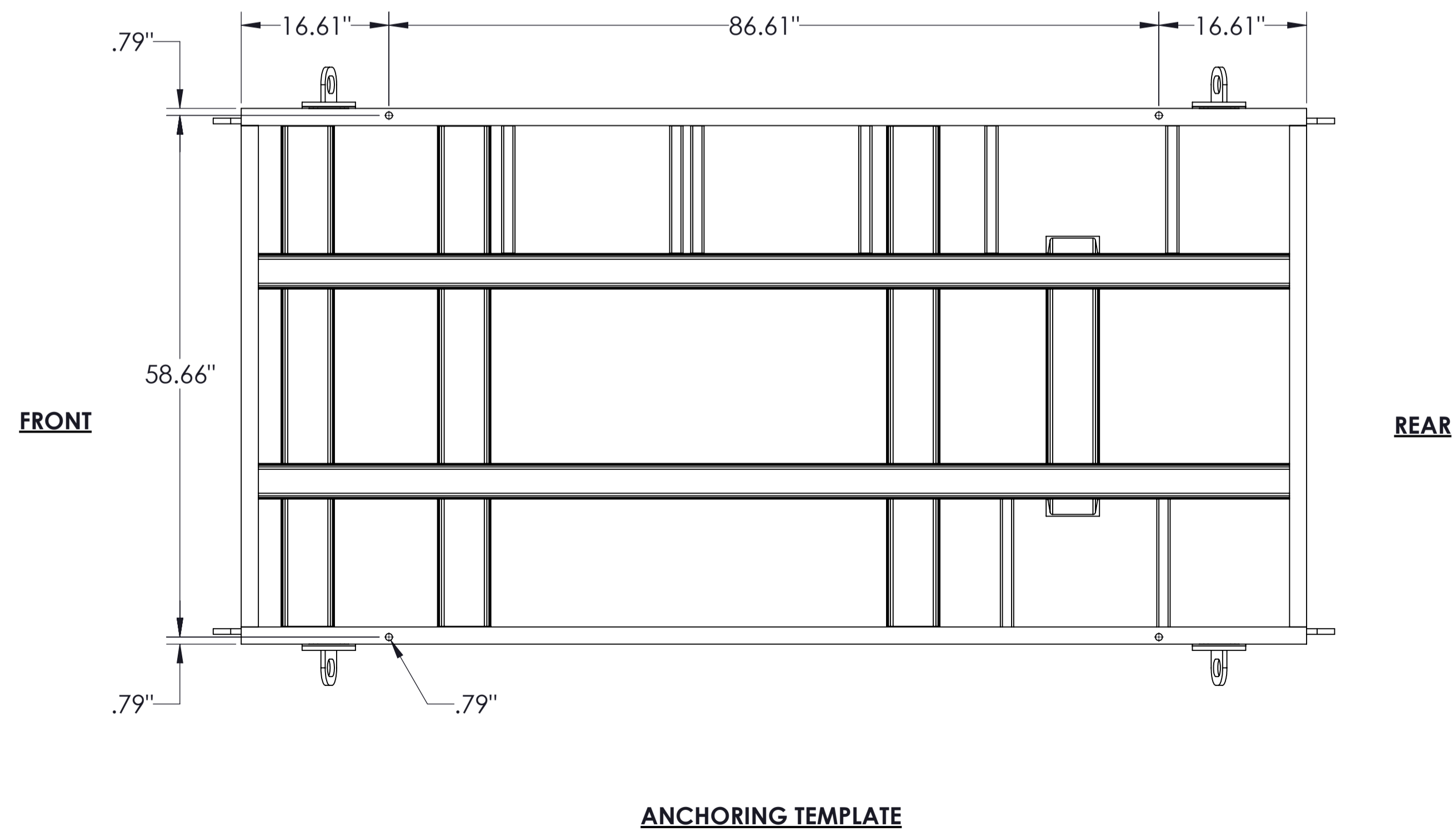
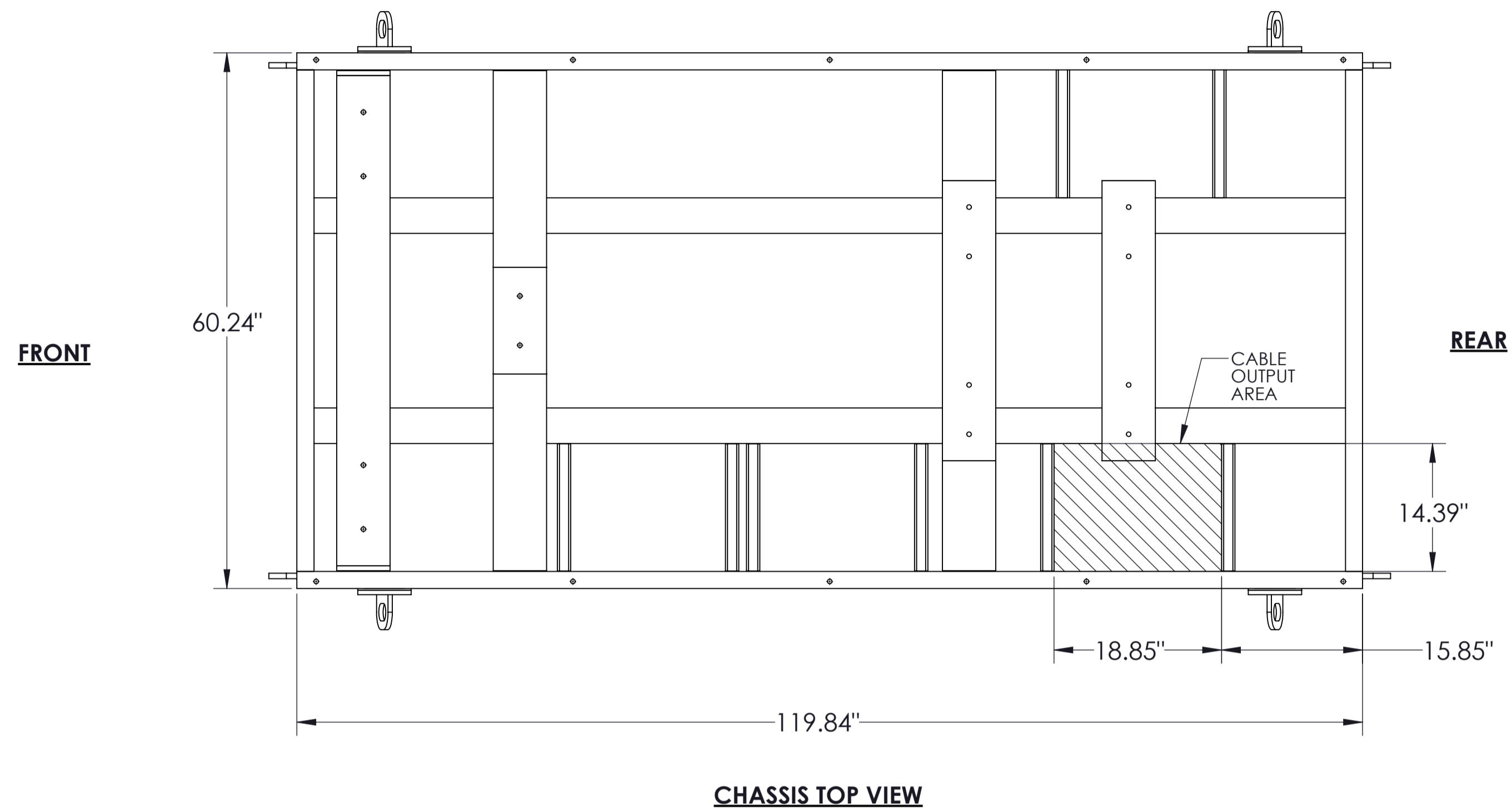
'C' = CUT 'D' = BEND

**TABLA DE TOLERANCIAS ESTANDAR DE NO ESPECIFICARSE**

TOLERANCES OF FINISHED PART		GENERAL TOLERANCES	
RANGO	TOLERANCIA	DIAMETROS	ANGULAR
0 mm - 999 mm	± 1 mm	NO ESPECIFICADOS	± 2°
1000mm- 5m	± 2 mm		
5 m-12 m	± 3 mm	ESPECIFICADOS	± 0.05
12m-100m	± 10 mm		

MATERIAL	ITEM	WEIGHT (kg)	FINISH
N/A	N/A		CLEAN SURFACES WITHOUT BURRS



DEPTO.: <b>ENGINEERING</b>	DATE: 05/27/2019	DRAWN BY: ARG	REVIEWED BY: MBG	APPROVED BY: FJPR
ESCALE: N/A ACOT.: mm.	CUSTOMER: <b>STD UL</b>	DRAWING No: <b>PDE-CA 300KW</b>		
PART NAME: <b>BASE FRAME AND ENCLOSURE FOR CUMMINGS, VOLVO AND JOHN DEERE ENGINES OF 300KW AND SWITCH T5N ABB (400-600AMP)</b>				REV.: 00
				SHEET 2 OF 2
<b>IGSA S.A. DE C.V.</b> <small>HEAD QUARTERS: PASO DE LA REFORMA No. 2977, COL. CUAJIMALPA, CP 05000, MEX. D.F.                  FACILITIES: HIGHWAY ANIMOLULCO-OCYOYACAC KMS. 16, LERMA EDO. DE MEXICO, CP 92749                  ENGINEERING DEPARTMENT: TEL.: 01 (55) 96269350 Ext.: 3018, 3020 &amp; 3025.</small>		INFORMATION CONTAINED IN THIS DOCUMENT IS PROPEERTY OF IGSA COMPANY AND IT IS CLASSIFIED AS CONFIDENTIAL, HENCE IT CANNOT BE REPRODUCED TOTALLY OR PARTIALLY WITHOUT THE PREVIOUS AUTHORIZATION FROM IGSA S.A. DE C.V. MEXICO		