

CONTROL SIMBOLOGY

INSPECTION MEASURE

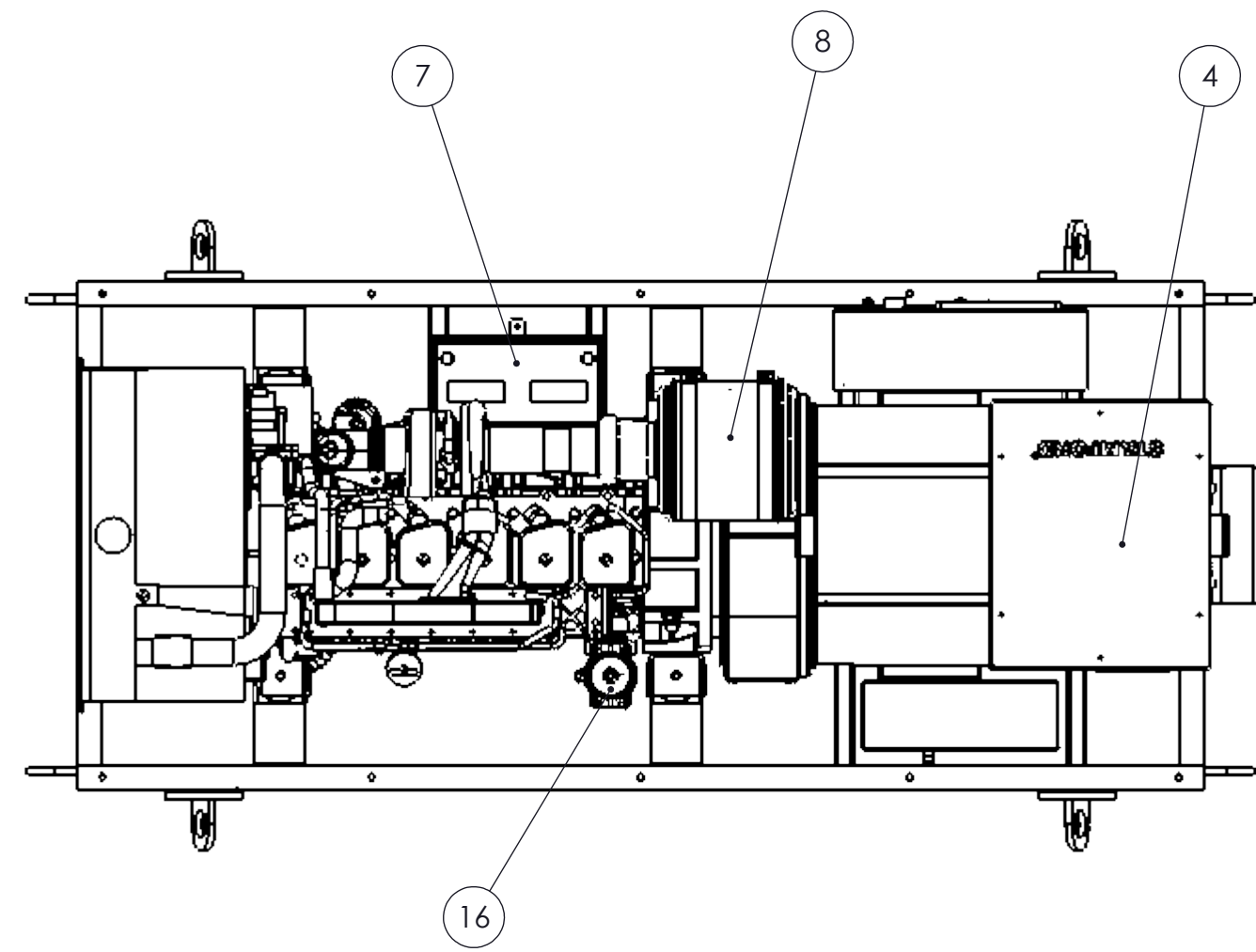
DRAWING REVISION

'C' = CUT 'D' = BEND

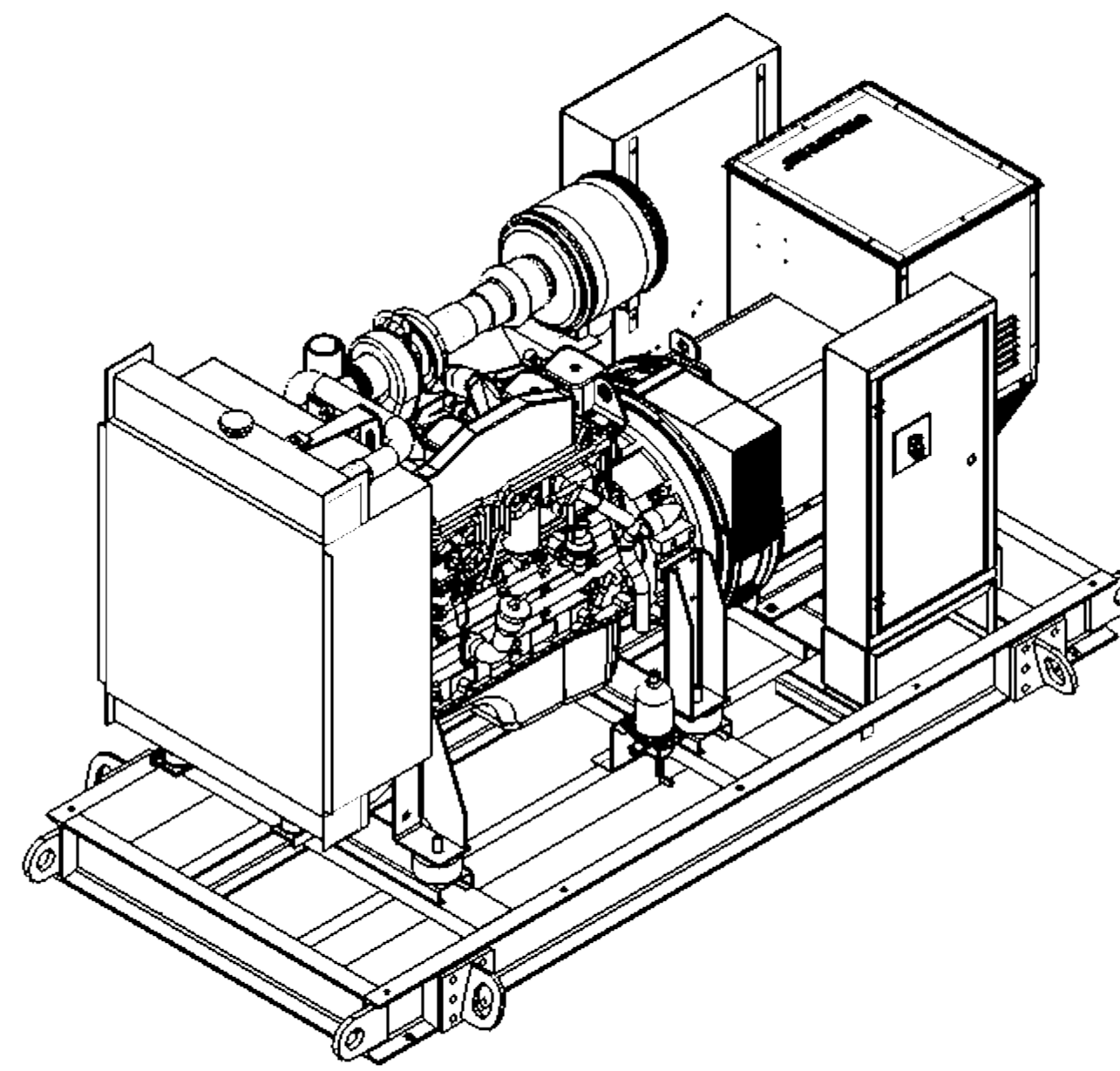
TABLA DE TOLERANCIAS ESTANDAR DE NO ESPECIFICARSE

TOLERANCES OF FINISHED PART		GENERAL TOLERANCES	
RANGO	TOLERANCIA	DIAMETROS	ANGULAR
0 mm - 999 mm	± 1 mm	NO ESPECIFICADO	± 2°
1000mm- 5m	± 2 mm		
5 m-12 m	± 3 mm	ESPECIFICADO	9.2-0.05
12m-100m	±10 mm		

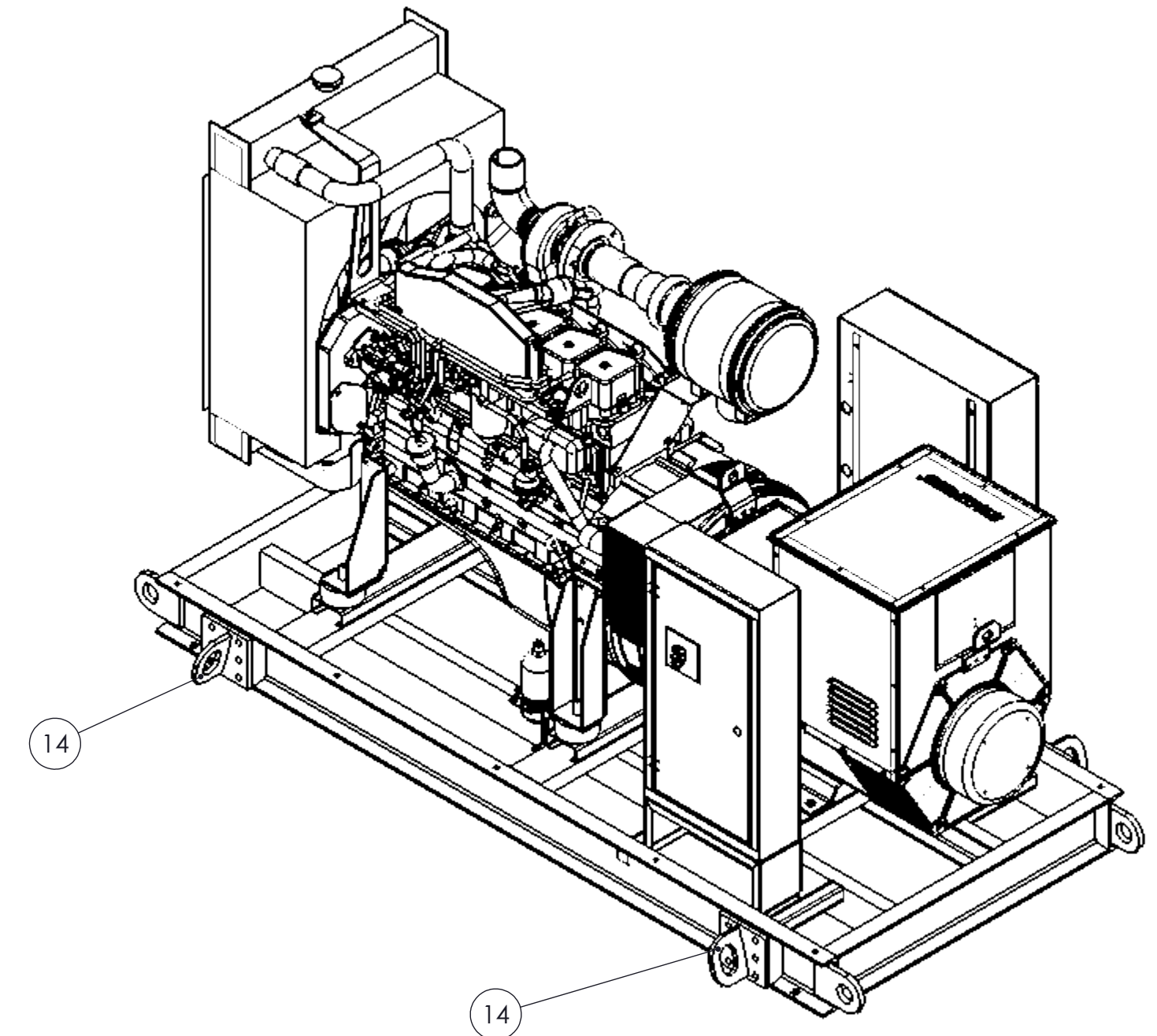
MATERIAL	ITEM	WEIGHT (kg)	FINISH
N/A	N/A		CLEAN SURFACES WITHOUT BURRS



TOP VIEW

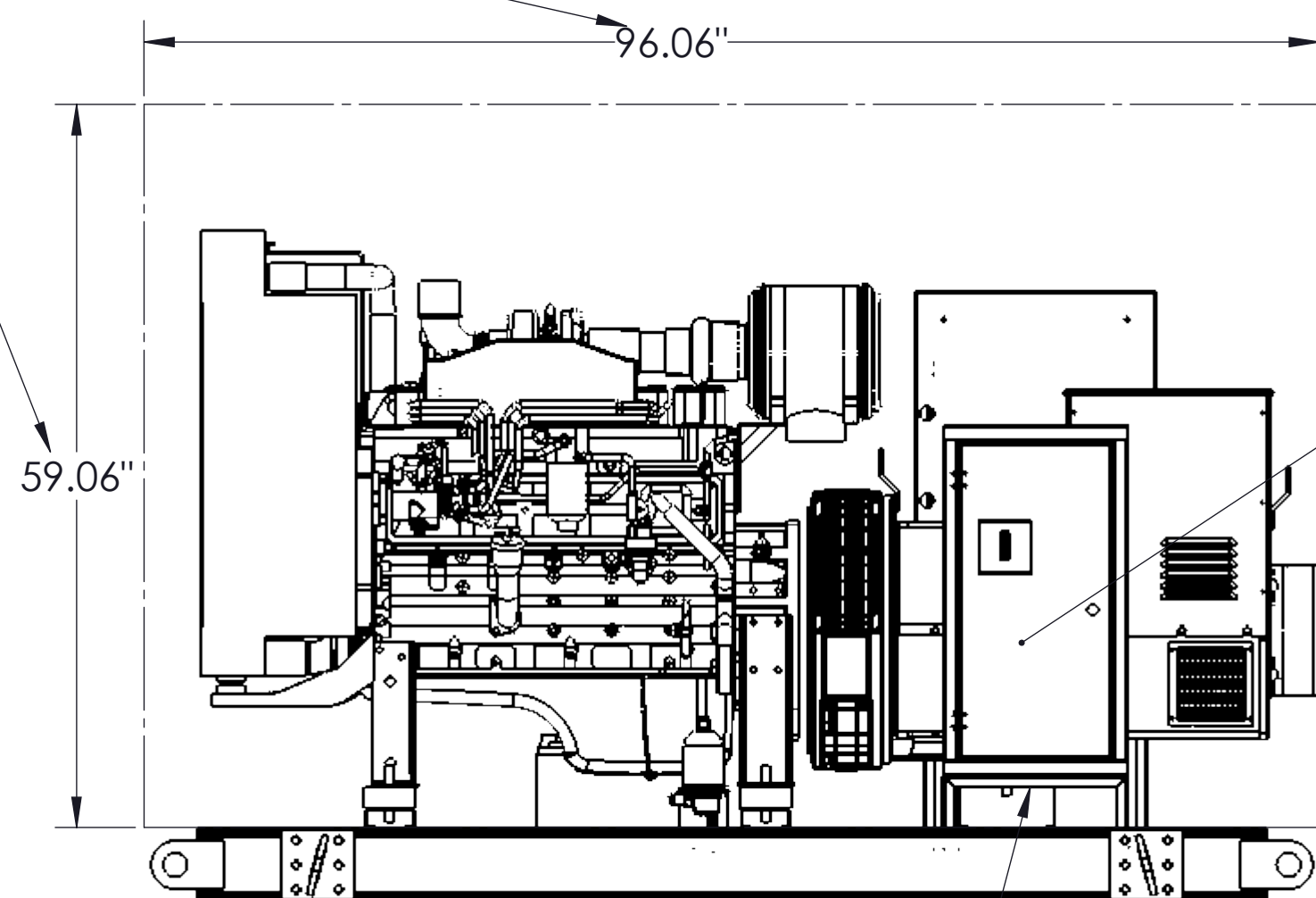


ISOMETRIC VIEW



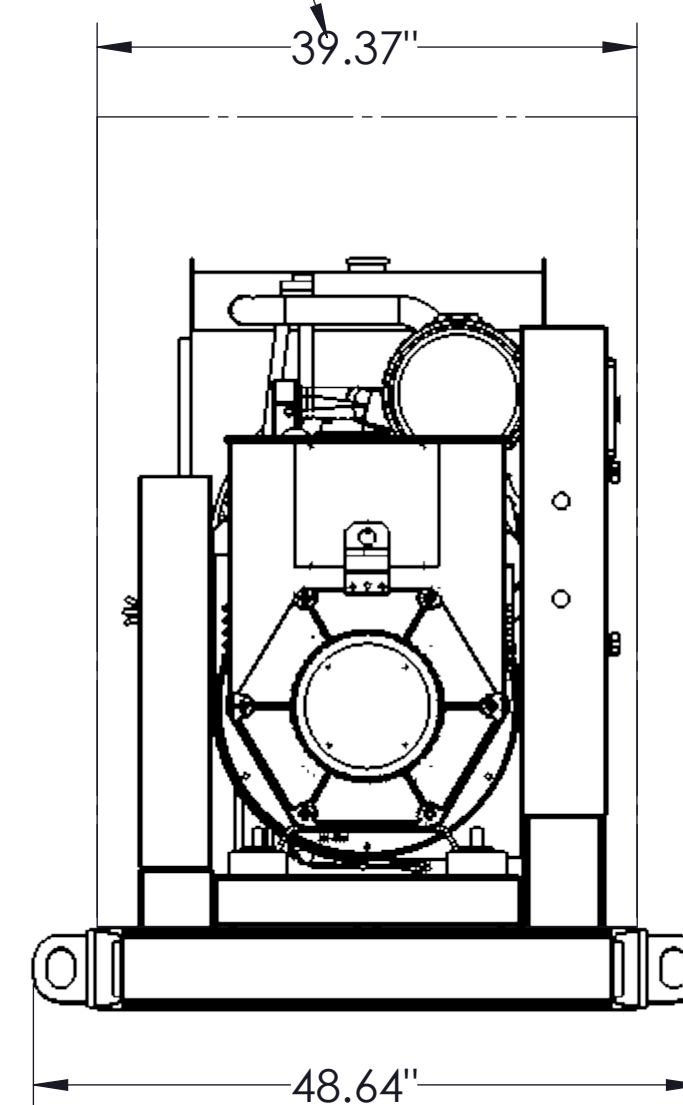
ISOMETRIC VIEW

MAX HEIGHT AND LENGHT DIMENSIONS

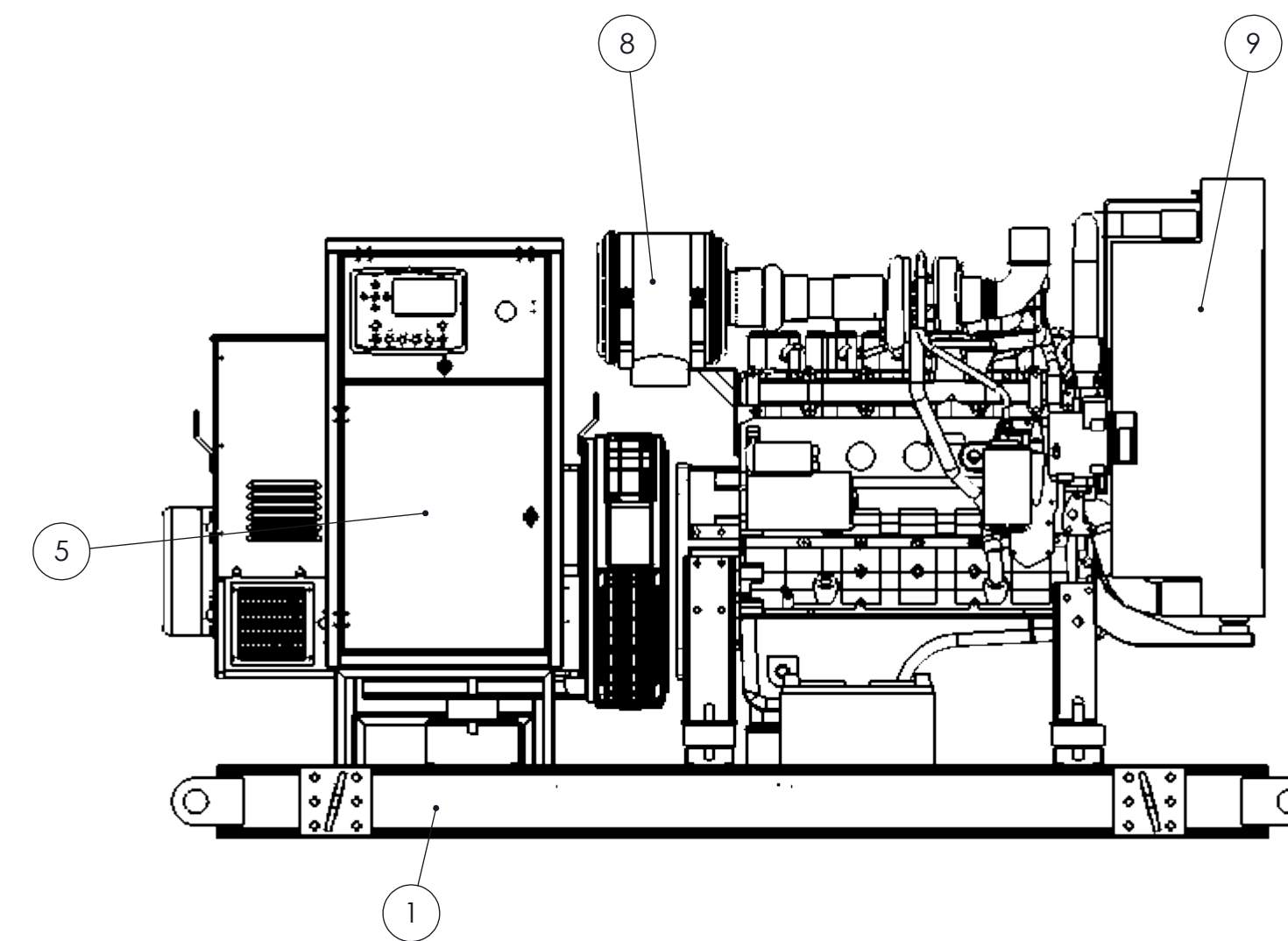


RIGHT VIEW

MAX WIDTH DIMENSION



REAR VIEW



LEFT VIEW

ITEM NO.	DESCRIPTION
1	CHASSIS
2	MODULAR ACOUSTIC ENCLOSURE
3	ENGINE
4	ALTERNATOR
5	CONTROL PANEL
6	SILENCER
7	BATTERIES
8	AIR FILTER
9	RADIATOR
10	BREAKER
11	SIDE AIR INLET
12	FRONT AIR OUTPUT
13	REAR AIR INLET
14	LIFTING HOOK
15	OUTPUT CABLES
16	HEATER
17	COOLANT DRAINER
18	OIL DRAINER
19	EMERGENCY STOP

DEPTO.: **ENGINEERING** DATE: 07/04/2019 DRAWN BY: ARG REVIEWED BY: MBG APPROVED BY: FJPR

ESCALE: N/A CUSTOMER: **STD UL** DRAWING No: **EG W/O JD-STF 60KW 208VCA 3PH**

PART NAME: **BASE FRAME AND CANOPY FOR ENGINE-ALTERNATOR JOHN DEERE- STAMFORD 60KW/208VAC 3PH/ ABB BREAKER T4N 250** REV.: 00 SHEET 1 OF 2

IGSA S.A. DE C.V. HEAD QUARTERS: PASEO DE LA REFORMA No. 2977, COL. CUAJIMALPA, CP 05000, MEX. D.F. FACILITIES: HIGHWAY ANIMOLULCO-OCYOYACAC KM-8, LERMA EDO. DE MEXICO, CP 52740 ENGINEERING DEPARTMENT: TEL.: 01 (55) 56269501 Ext.: 3018, 3020 & 3025. INFORMATION CONTAINED IN THIS DOCUMENT IS PROPEERTY OF IGSA COMPANY AND IT IS CLASSIFIED AS CONFIDENTIAL, HENCE IT CANNOT BE REPRODUCED TOTALLY OR PARTIALLY WITHOUT THE PREVIOUS AUTHORIZATION FROM IGSA S.A. DE C.V. MEXICO

CONTROL SIMBOLOGY

INSPECTION MEASURE

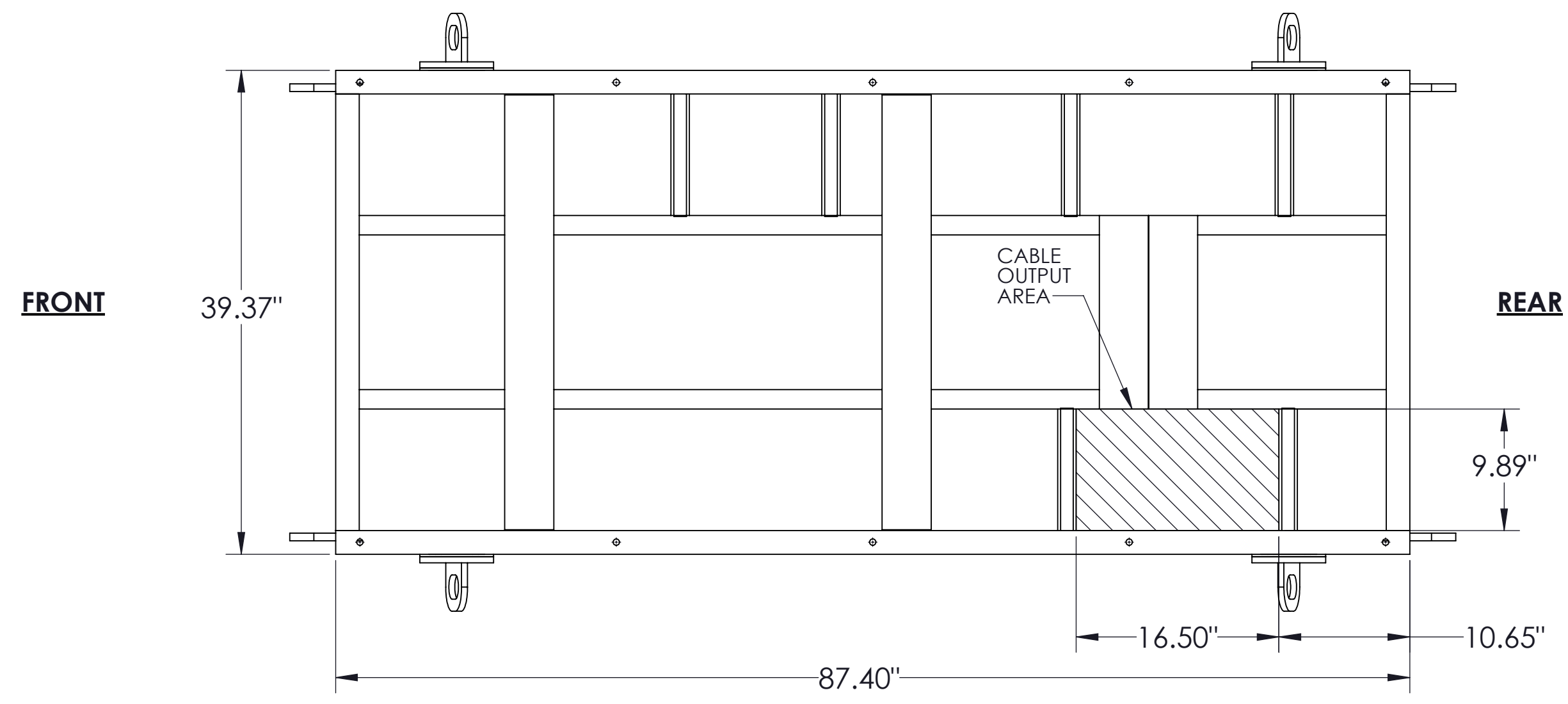
DRAWING REVISION

'C' = CUT 'D' = BEND

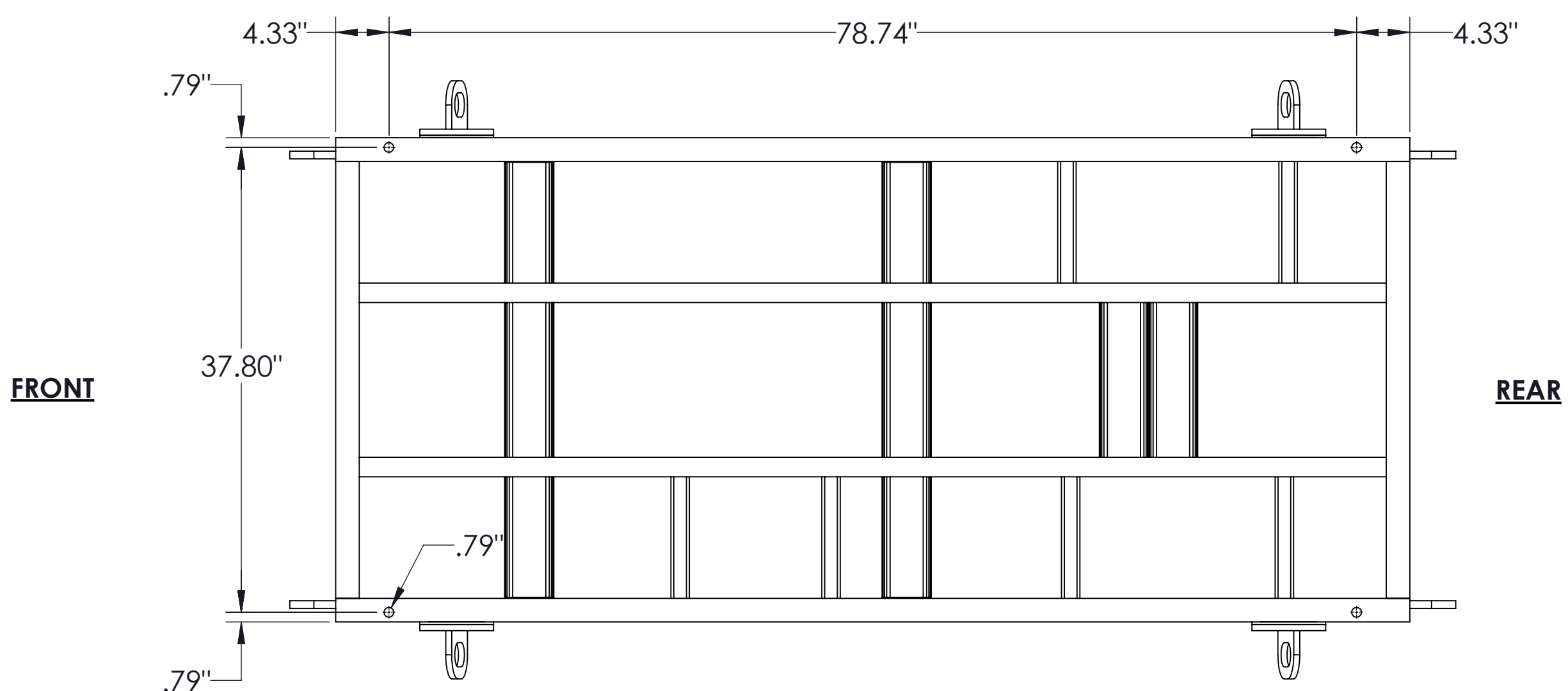
TABLA DE TOLERANCIAS ESTANDAR DE NO ESPECIFICARSE

TOLERANCES OF FINISHED PART		GENERAL TOLERANCES	
RANGO	TOLERANCIA	DIAMETROS	ANGULAR
0 mm - 999 mm	± 1 mm	NO ESPECIFICADOS	± 2°
1000mm- 5m	± 2 mm		
5 m-12 m	± 3 mm	ESPECIFICADOS	± 0.05
12m-100m	± 10 mm		

MATERIAL	ITEM	WEIGHT (kg)	FINISH
N/A	N/A		CLEAN SURFACES WITHOUT BURRS



CHASSIS TOP VIEW



ANCHORING TEMPLATE

DEPTO.: ENGINEERING	DATE: 01/29/2019	DRAWN BY: ARG	REVIEWED BY: MBG	APPROVED BY: FJPR
ESCALE: N/A ACOT.: mm.	CUSTOMER: STD UL	DRAWING No: PDE-CA 50-125W		
PART NAME: BASE FRAME AND ENCLOSURE FOR CUMMINGS AND JOHN DEERE ENGINES WITHIN A RANGE FROM 50 UP TO 125 KW AND SWITCH T4N ABB (100-250AMP)				REV.: 00
				SHEET 2 OF 2

IGSA S.A. DE C.V.
HEAD QUARTERS: PASEO DE LA REFORMA No. 2977, COL. CUAJIMALPA, CP 05000, MEX. D.F.
 FACILITIES: HIGHWAY ANIMOLULCO-OCYOYACAC KMS. LERMA EDO. DE MEXICO, CP 52740
 ENGINEERING DEPARTMENT: TEL.: 01 (55) 56269501 Ext.: 3018, 3020 & 3025.

INFORMATION CONTAINED IN THIS DOCUMENT IS PROPEERTY OF IGSA COMPANY AND IT IS CLASSIFIED AS CONFIDENTIAL, HENCE IT CANNOT BE REPRODUCED TOTALLY OR PARTIALLY WITHOUT THE PREVIOUS AUTHORIZATION FROM IGSA S.A. DE C.V. MEXICO